

# EARLY BIRD AND AFTER HOURS THROUGH THE WALL VEHICLE KEY 'TUBE DROP'.

**CUSTOMERS** – Can fill out envelope and place keys in canister and drop keys directly into the premises

**VEHICLE DELIVERY** – After hours receiving of vehicles is now more secure with keys being delivered into dealership.

Keys or canisters are sent directly into a secure container with baffles that will keep keys away from opportunistic theft.

Customer fills out paperwork and places key and paperwork inside canister and sends it WITH KEYS into the premises.

## SUPPLIED COMPONENTS

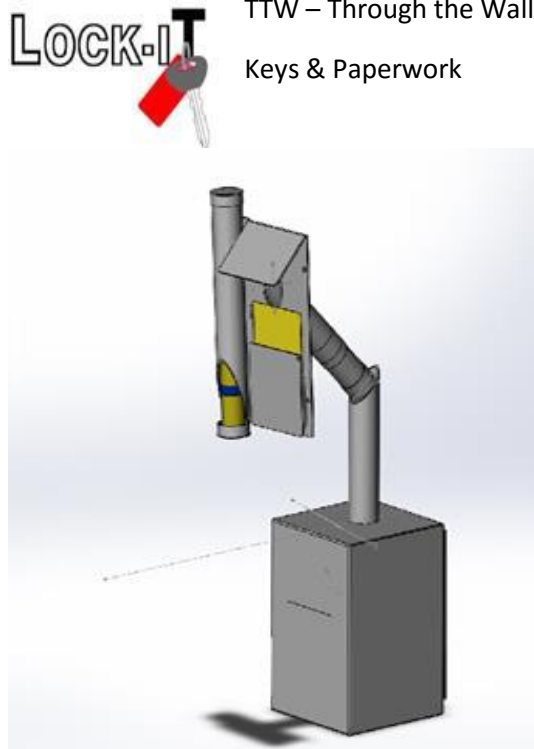
**1 x internal safe with digital and keyed locking.**

**1 x External mounting frame**

**1 x canister holder**

**6 x canisters**

**Through the wall tubing and sundry components.**



Inside the premises is a locked container which can hold 6 x canisters or 20 Plus sets of keys.

Body has baffles and fold backs which make fishing for keys difficult.

**Keys are sent directly into the safe body.** Staff can unlock the base safe and the keys taken away to be accounted for.



**DESIGNED FOR MANY YEARS OF RELIABLE SERVICE.**

**COMPLIES WITH CURRENT INSURANCE REQUIREMENTS.**

## INSTALLATION REQUIREMENTS

**Clear space on wall both external and internal HIGH 1700 x WIDE 400mm x DEEP 400mm (inside premises)**

**METAL SKIN WALLS** – Ply wall built of 2 x 18mm ply sheets attached to INTERNAL SIDE of wall structure to give a physical barrier and a stable mounting area for the tube drop facility. (NOT SUPPLIED IN STD KIT)

**BRICK, BLOCK & CONCRETE WALLS** – require a 1700mm high x 100mm downwards 45 degree core drill hole.

**MOUNTING** – hidden bolting and fixings on SAFE. Cup head / coach bolts on external mounting frame.

**Suggested additional security** – Security Compound for after hour's vehicle delivery.

## RECOMMENDED ADDITIONAL SECURITY...

**INTERNAL** After hours movement detection covering approaches to drop box.

**EXTERNAL** monitored CCTV covering key drop area.

**Disclaimer** – Lock-it Systems Pty. Ltd. being the manufacturer of this key drop facility and the Service Providing Company offering this EARLY BIRD service take no responsibility for loss of keys or theft of vehicles or any property during the use of this EARLY BIRD keys receptacle.

The choice to use EARLY BIRD facility is the sole digression of vehicle owner, delivery and or agent service who is depositing the vehicle's keys.